



Hahn Produktkatalog

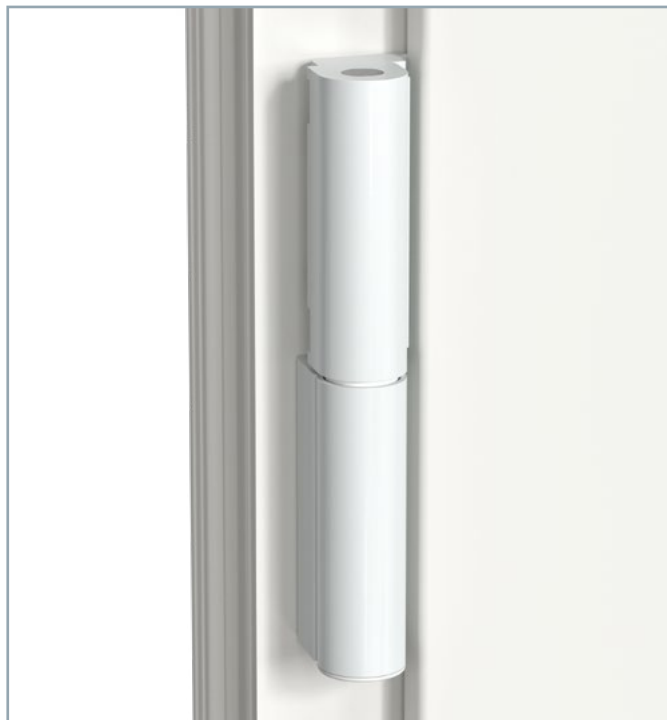
F Catalogue produits

GB Product catalogue





HAHN KT-RV



DESCRIPTION

The new Hahn KT-RV is fastened with screws in the rebate, thus replacing the previous Hahn KT-R. Besides a more modern contour, the new hinge variation can now be adjusted in six directions without any misalignment. The adjustment is continually variable vertically and horizontally, as needed. The sealing pressure can be adjusted by ± 0.5 mm by turning the bearing bushing. Depending on the system profile used, the 2-piece version is able to bear doors weighing up to 120 kg.

The installation is still carried out using system-adapted fastening plates. By default, it is designed for Euro groove widths of 16 mm and 20 mm. This hinge is also available in silver anodisation EV1 as standard colour variation for high-quality appearance. A 100 % clear width ensures that a Hahn KT-RV is the elegant choice, e.g., for hospitals, wheelchair-accessible doorways and wherever else wide loads have to pass through.

- Areas of application: Doors made of PVC profile sections for both residential and commercial structures
 - Main entrance doors
 - Side entrance doors
 - Exterior doors
 - Interior doors
 - Entrance doors for flats
- No misalignment even after adjustment
- Door hinges are largely pre-assembled



SYSTEM/APPLICATION

- Material: constructed of extruded aluminium
- Fastening method: directly mounted in frame and groove
- Euro-Groove versions 16 mm, 20 mm, 24 mm
- Load capacity: max. 120 kg depending on the door/frame design
- Adjustability:
 - Adjustable in six directions
 - Horizontal adjustment, variable ± 3 mm
 - Height adjustment, variable $+3$ mm/ -1 mm
 - Adjustment of sealing pressure ± 0.5 mm
- Certifications:
 - CE certified according to EN 1935:2002, hinge class 14
 - SKG 2-star
- Colours:
 - Hinges available in EV1 and RAL colours
- Allows door to open up 180°
- Usable DIN left/DIN right



HAHN ROLLENBAND FÜR KUNSTSTOFFTÜREN

La paumelle cylindrique pour portes PVC
Butt hinges for PVC-U doors

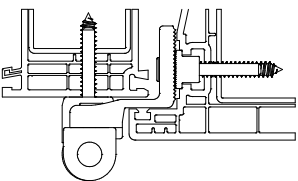

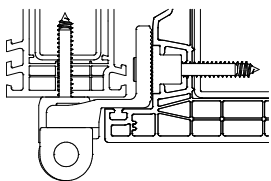

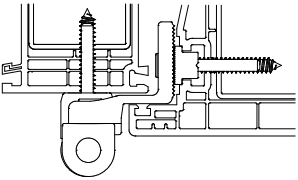

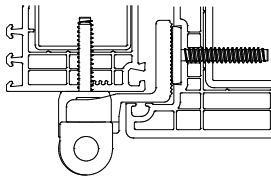



Bestell-Schlüssel/Art.-Nr. · Codes clés/No. d'article · Order key/item number

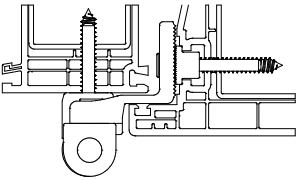

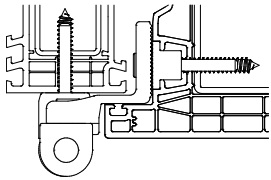

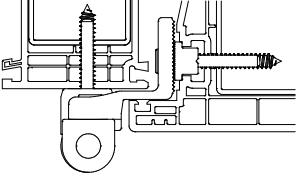

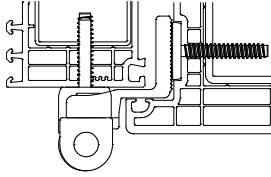

- 1** = EV1 schwarze Kunststoffteile / Pièces PVC noires / Black PVC parts
- G** = RAL 9016 weiße Kunststoffteile / Pièces PVC blanches / White PVC parts
- 6** = RAL 9016 schwarze Kunststoffteile / Pièces PVC noires / Black PVC parts
- 9** = Sonderfarbe schwarze Kunststoffteile / Teinte spéciale pièces PVC noires / Custom colours black PVC parts

Bei Schlüsselziffer 9 bitte Sonderfarbe benennen. Beispiel: RAL 9005 Tiefschwarz.
 Pour le code teinte 9, veuillez indiquer la teinte spéciale. Exemple : RAL 9005 noir foncé.
 If you select No. 9, please indicate custom colour. Example: RAL 9005 jet black.

Verpackungseinheit: 1 Band im Karton / Unité d'emballage : 1 paumelle par boîte / Packaging unit: 1 hinge per box

<p>16/3,0 mm Beschlagnut/feuillure/hinge groove</p>  <p> K731 <input type="checkbox"/> 0000</p>	<p>20/3,5 mm Beschlagnut/feuillure/hinge groove</p>  <p> K731 <input type="checkbox"/> 0001</p>
<p>16/3,5 mm Beschlagnut/feuillure/hinge groove</p>  <p> K731 <input type="checkbox"/> 0002</p>	<p>24/4,0 mm Beschlagnut/feuillure/hinge groove</p>  <p> K733 <input type="checkbox"/> 0003</p>

Verpackungseinheit: 24 Bänder im Karton / Unité d'emballage : 24 paumelles par boîte / Packaging unit: 24 hinges per box

<p>16/3,0 mm Beschlagnut/feuillure/hinge groove</p>  <p> K731 <input type="checkbox"/> V000</p>	<p>20/3,5 mm Beschlagnut/feuillure/hinge groove</p>  <p> K731 <input type="checkbox"/> V001</p>
<p>16/3,5 mm Beschlagnut/feuillure/hinge groove</p>  <p> K731 <input type="checkbox"/> V002</p>	<p>24/4,0 mm Beschlagnut/feuillure/hinge groove</p>  <p> K733 <input type="checkbox"/> V003</p>



Direktverschraubung
Vissage direct
Direct screw connection

Technische Änderungen vorbehalten. Andere Farben auf Anfrage.
 Sous réserve de modifications techniques. Autres teintes sur demande.
 Right to alter technical details reserved. Other colours available on request.



ZUBEHÖR

Accessoires
Accessoires



Zubehör/Artikel-Nr. · Accessoires/No. d'article · Accessories/Item number



Bohrlehre/Gabarit de perçage/Drilling jig

No. T320A0001 16/3,0 mm, 16/3,5 mm Beschlagnut/feuillure/hinge groove



Bohrlehre/Gabarit de perçage/Drilling jig

No. T320A0011 20/3,5 mm Beschlagnut/feuillure/hinge groove



Bohrlehre/Gabarit de perçage/Drilling jig

No. T321A0031 24/4,0 mm Beschlagnut/feuillure/hinge groove



Zubehör für KT-RV/Accessoire pour KT-RV/accessories for KT-RV

No. T321A0001

Austauschbohrlehre für/Gabarit de remplacement pour/replacement drilling jig for
No. T311A0001, T311A0002, T311A0003



Sicherungs-Set KT-RV (Sicherungsstift, Rosette, Schrauben, Scheibe)/

Kit de sécurité KT-RV (Broche de blocage, rosace, vis, rondelle)/
Security set KT-RV (Securing pin, rosette, screws, washer)

No. K750A0001



Bohrlehre für Sicherungs-Set KT-RV/

Gabarit pour kit de sécurité KT-RV/
Drilling jig for security set KT-RV

No. T300B0090



Steckbohrbuchse/Douille guide foret/Slip-type drill bush

Ø 5 mm, Ø 15 mm

No. A650A0040



Bohrlehre mit Steckbohrbuchse für Sicherungs-Set KT-RV/

Gabarit avec douille guide foret pour kit de sécurité KT-RV/
Drilling jig with slip-type drill bush for security set KT-RV

No. T311A0050



KT-Senkkopfschraube 6,3x80 für Rahmen/

Vis à tête fraisée 6,3x80 pour dormant/
Countersunk screw 6,3x80 for frame

No. K500E0007

Technische Änderungen vorbehalten. Andere Farben auf Anfrage.

Sous réserve de modifications techniques. Autres teintes sur demande.

Right to alter technical details reserved. Other colours available on request.

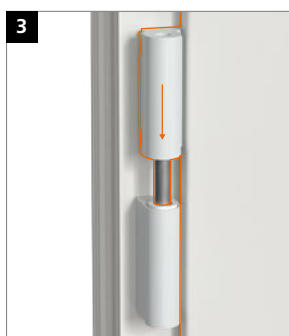
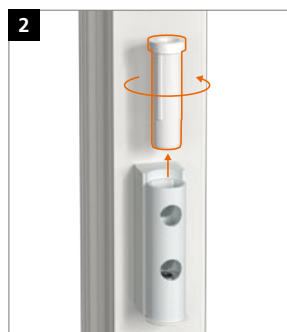
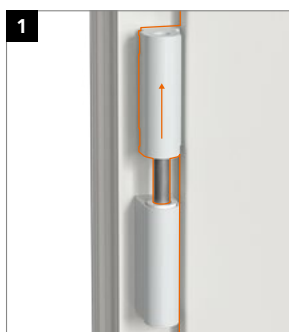
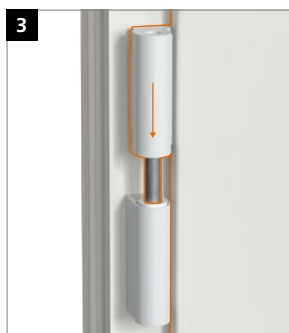
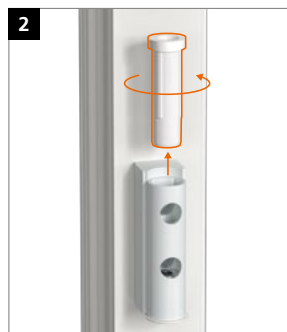
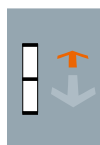


EINSTELLANLEITUNG

Notice de réglage
Adjustment instructions



Dichtungsandruckverstellung · Réglage de la compression du joint d'étanchéité · Adjusting the sealing pressure



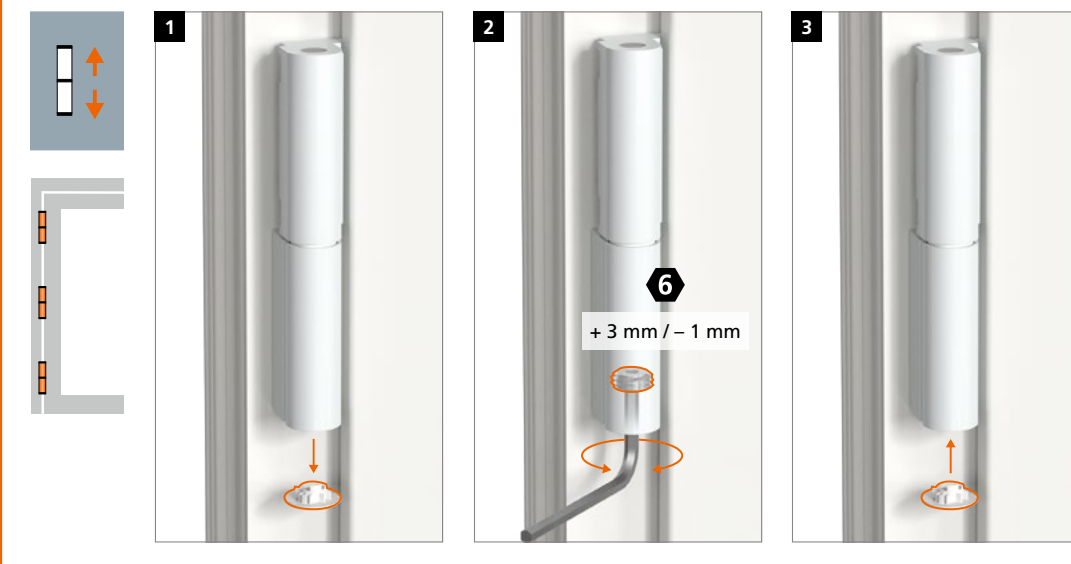


EINSTELLANLEITUNG

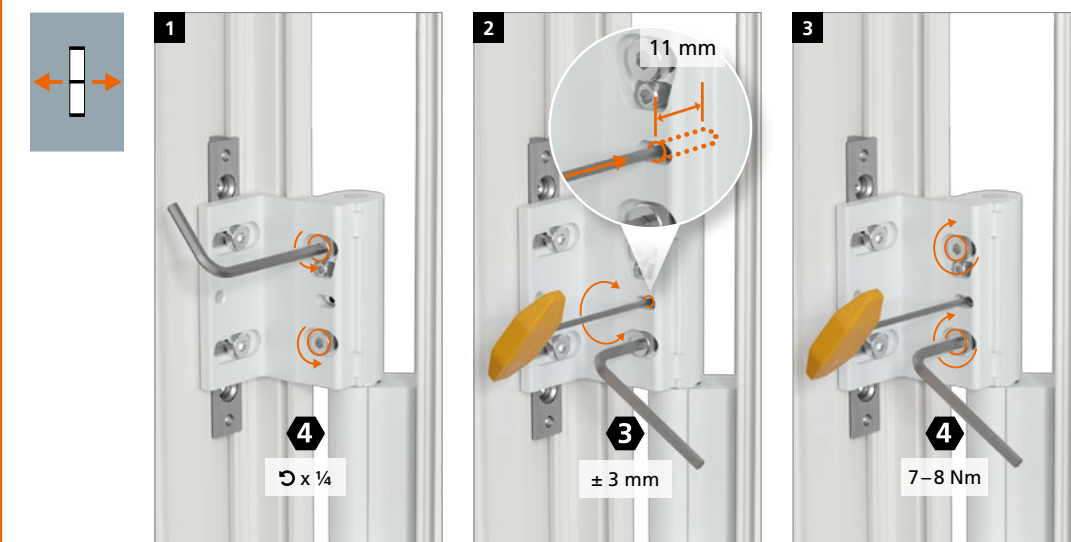
Notice de réglage
Adjustment instructions



Höhenverstellung · Réglage en hauteur · Adjusting the height



Horizontalverstellung · Réglage horizontal · Horizontal adjustment





Hahn Serie 60 AT



Hahn KT-EV



Hahn VL-Band ST



Hahn Rollenband G



Hahn KT-RV



*Für jede
Situation
die passende
Lösung*



Hahn KT-V 6R



Hahn VL-Band 180



Hahn Rollenband NG



Hahn KT-RN



Hahn Türband 4 AT



Hahn KT-Rollenband NL



Hahn KT-SV



Hahn KT-B 6R



Hahn Türband 4 AT



Hahn KT-N 6R



Hahn Türband 4 HM0



Hahn KT-RKN



Hahn KT-RV



Hahn KT-EN



Hahn Rollenband AT



Hahn Serie 60 AT



Hahn VL-Band AT



Hahn Klemmband



Hahn KT-RKV



Hahn Klemmband



Hahn AT-G



Hahn KT-RN

 **Dr. Hahn**[®]
TÜRBÄNDER. MADE IN GERMANY.



Dr. Hahn GmbH & Co. KG

Trompeterallee 162-170 · D-41189 Mönchengladbach
Postfach 400109 · D-41181 Mönchengladbach
Phone +49(0)2166 954-3 · E-Mail: sales@dr-hahn.com
www.dr-hahn.eu